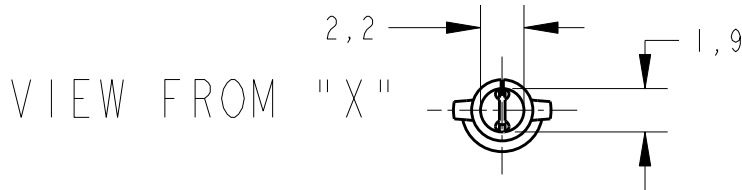
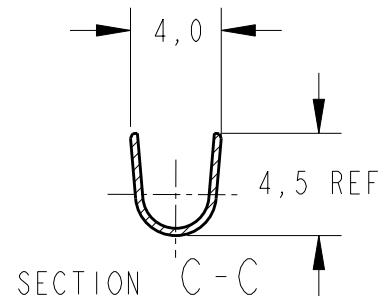
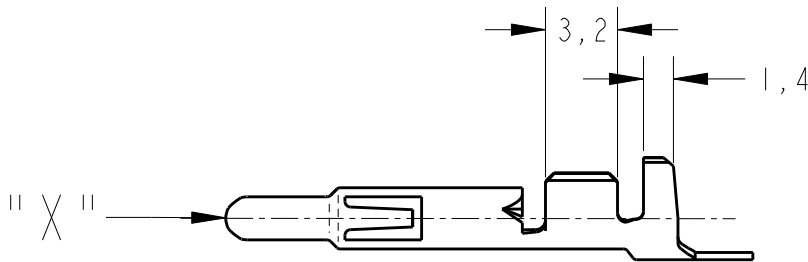
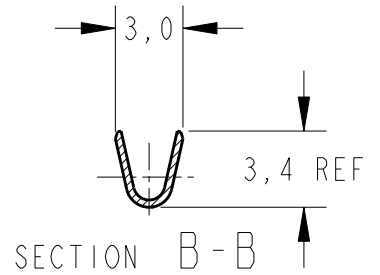
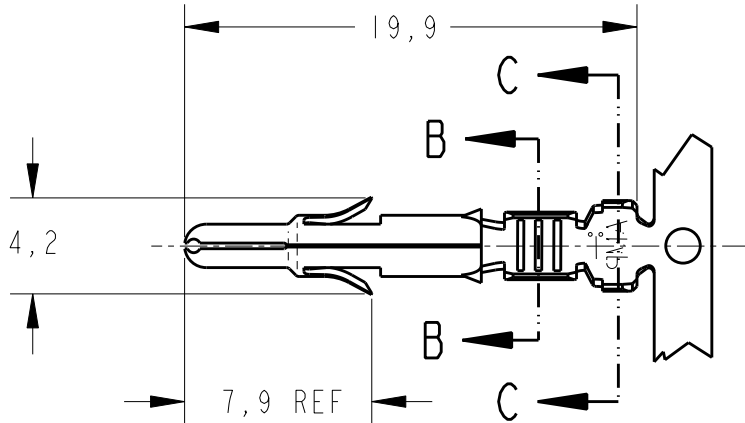

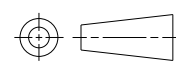


LOC	DIST	REVISIONS			
P	LTR	DESCRIPTION	DATE	DWN	APVD
AP	-	E1	REV. BY ECO 12-001956	31 JAN 2012	HC WLS



\triangle 2 - SUPERSEDED BY PN-926887-3

—	POST TIN PLATED	BRASS/LATÃO	881109-3
—	TIN PLATED/ESTANHADO	PH. BRONZE/BRONZE FOSF.	881109-2 \triangle 2
350705-1	TIN PLATED/ESTANHADO	BRASS/LATÃO	881109-1
LOOSE PIECE	FINISH	MATERIAL	PART NUMBER

DIMENSIONS: mm	DWN H.C. CANTERI	27MAY2004	MATERIAL	-	FINISH	-
	CHK W.L. STEFANI	27MAY2004	 TE Connectivity			
TOLERANCES UNLESS OTHERWISE SPECIFIED:	APVD	-				
	PRODUCT SPEC	-	-			
0 PLC ±	INS. - DIA	3,30mm	SIZE	A 4	CAGE CODE	C-881109
1 PLC ±0,4	APPLICATION SPEC	-	DRAWING NO	-	RESTRICTED TO	-
2 PLC ±	WIRE - RANGE	20/14AWG	WEIGHT	-	SCALE	-
3 PLC ±	VIEW FROM 'X'		CUSTOMER DRAWING		SHEET	1 OF 1
4 PLC ±			SCALE		REV	E1
ANGLES ±1°	1469-35 (3/11)					

20

RELEASED FOR PUBLICATION

THIS DRAWING IS UNPUBLISHED.

ALL RIGHTS RESERVED.

© COPYRIGHT 20