

PRODUCT NUMBER

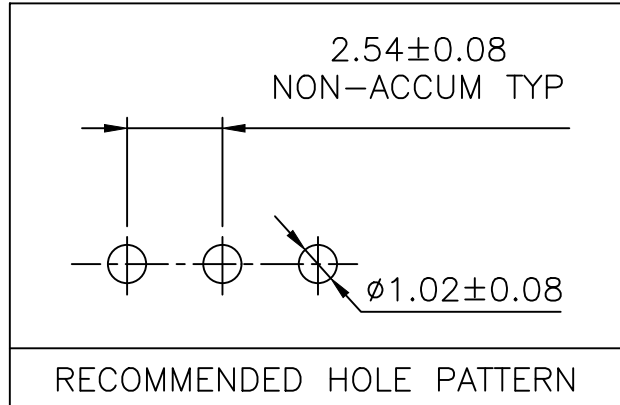
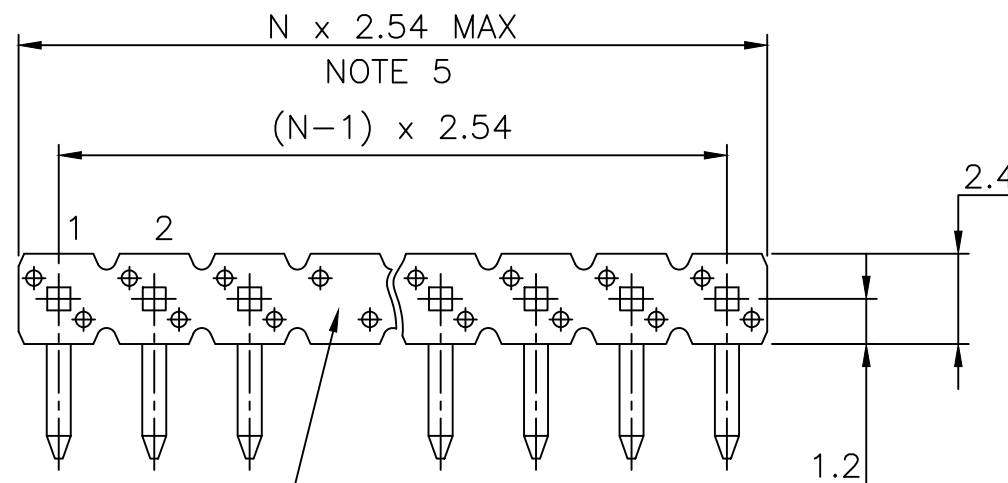
77316-YXXLF

RoHS COMPATIBLE  
SEE NOTE 7

PIN STYLE SEE SHEET 2

PLATING SEE SHEET 2

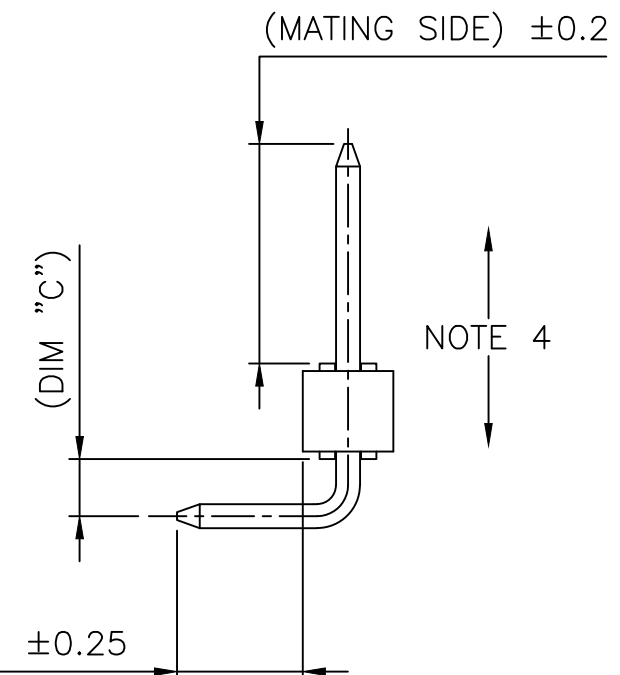
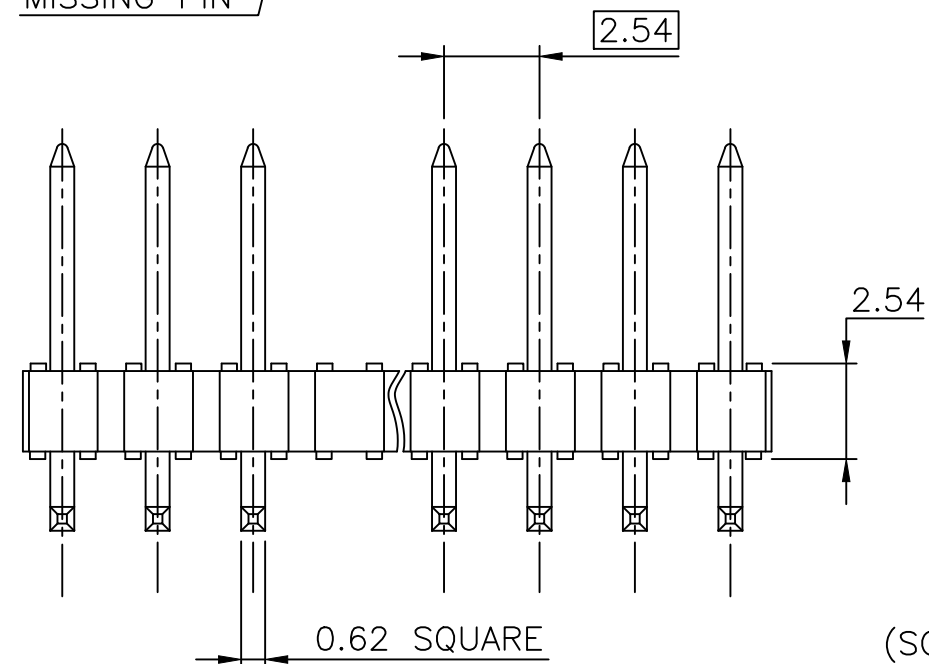
TOP VIEW



NOTES:

1. HOUSING MAT'L : HIGH TEMPERATURE THERMOPLASTIC. UL94V-0 COLOR: BLACK
2. PIN MATERIAL : PHOSPHOR BRONZE
3. PRODUCT PACKAGED IN POLY BAGS.
4. 9N MIN RETENTION IN EITHER DIRECTION
5. TO DETERMINE DIMENSIONS :  
N = NUMBER OF POSITIONS PER ROW  
EXAMPLE : 8 POS N x 2.54 = 20.32mm
6. UNDERPLATING : 1.27µm Ni MIN
7. RoHS COMPATIBLE PRODUCT SPECIFICATIONS
  - a - PLATING:
    - "LF" MEANS THE PRODUCT IS LEAD-FREE, 2µm MINIMUM MATTE TIN OVER 1.27µm MINIMUM NICKEL UNDERPLATE.
  - b - MANUFACTURING PROCESS COMPATIBILITY
    - THE HOUSING WILL WITHSTAND EXPOSURE TO 260°C ±5°C SOLDER BATH TEMPERATURE FOR 5 SECONDS IN A WAVE SOLDER APPLICATION WITH A 1.6mm MIN THICK CIRCUIT BOARD.
  - c - LABELING:
    - MEETS PACKAGING SPECS AS PER GS-14-920
  - d - LEGAL STATEMENT: SEE GS-47-0004

EXAMPLE OF MISSING PIN

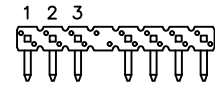


mat'l. code SEE P/N				surface ISO 1302 ✓		tolerance ISO 406 ISO 1101		projection mm		product family BSTIK			
ltr	ecn no	dr	date	tolerances unless otherwise specified		.X ±0.3		mm		title UNSHR.HEADER RA SR TMT POL			
AP	B-26203	JCA	17.02.28	angles		.XX ±0.15		scale 5:1		dwg no 77316			
AR	F-28530	LMU	17.10.24	linear		.XXX ±0.05		FCJ		sheet 1 of 4 size A3			
AK	B-19156	LMU	14.10.22	dr	O. MATHEVON	96.04.09	type CUSTOMER Drawing						
AL	F-24542	AMA	16.07.20	engr	COMPAGNON	J 96.04.09							
AM	F-25333	DDE	16.11.15	chr	COMPAGNON	J 96.04.09							
AN	F-25362	DDE	16.11.16	app	JMC	96.04.09							
sheet index	revision sheet	AR	V	AH	A								
		1	2	3	4								



Copyright FCI

PIN STYLE	NB OF POS	PRODUCT DEFINITION			TOP VIEW OF HEADER SHOWING MISSING PIN POSITIONS								
		"MATING SIDE" ±0.2	"SOLDER SIDE" ±0.35	"C" REF	1	5	10	15	20	25	30	35	
01	1x5	5.72	2.57	1.4									
02	1x6	5.72	2.57	1.4									
03	1x6	5.72	5.11	3.94									
04	1x21	5.72	3.45	1.4									
06	1x5	5.72	2.57	1.4									
07	1x3	5.72	3.45	1.4									
08	1x21	5.72	3.45	1.4									
10	1x13	5.72	3.45	1.4									
17	1x7	5.72	3.45	1.4									
18	1x10	5.72	3.45	1.4									
20	1x12	5.84	2.29	1.4									
21	1x12	5.72	2.57	1.4									
22	1x8	5.72	3.45	1.4									
23	1x6	5.72	3.45	1.4									
26	1x6	5.72	3.45	1.4									
27	1x6	5.72	3.45	1.4									
28	1x9	5.72	3.45	1.4									
29	1x4	5.72	3.45	1.4									
30	1x13	5.72	3.45	1.4									
31	1x7	5.72	3.45	1.4									
32	1x10	5.72	3.45	1.4									
33	1x9	5.72	3.45	1.4									
34	1x5	5.72	3.45	1.4									
35	1x15	5.72	2.57	1.4									

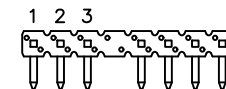


77316-9XXLF	0.2µm Au / GXT	2.0-7.5 Sn MATTE
77316-8XXLF	0.38µm Au/GXT	2.0-7.5 Sn MATTE
77316-5XXLF	0.25µm Au/GXT	2.0-7.5 Sn MATTE
77316-4XXLF	2.0-7.5 Sn MATTE	
77316-2XXLF	1.27µm Au	2.0-7.5 Sn MATTE
77316-1XXLF	0.76µm Au/GXT	2.0-7.5 Sn MATTE
PLATING CODE	CONTACT AREA	REMAINDER
	PLATING THICKNESS OVER 1.27µm Ni	

mat'l. code	surface	tolerance	projection	product family
	ISO 1302 ✓	ISO 406 ISO 1101		BSTIK
ltr	ecn no	dr	date	title
R	F06-0207	LMU	06.07.27	UNSHR.HEADER RA SR TMT POL
S	F08-0148	RTR	08.03.31	
T	F11-0052	LMU	11.04.22	scale N/A
U	B-18916	LMU	14.09.29	
V	F-24542	AMA	16.07.20	
P	F04-0362	LMU	04.11.29	dwg no
sheet	revision			77316
index	sheet			sheet 2 of
				A3
				type
				CUSTOMER Drawing

Copyright FCI FCIconnect.com

PIN STYLE	NB OF POS	PRODUCT DEFINITION			TOP VIEW OF HEADER SHOWING MISSING PIN POSITIONS									
		"MATING SIDE" ±0.2	"SOLDER SIDE" ±0.35	"C" REF	1	5	10	15	20	25	30	35		
36	1x08	3.05	5.00	1.4										
37	1x04	6.75	2.85	1.4										
38	1x09	5.72	2.54	1.4										
39	1x09	5.72	2.54	1.4										
40	1x36	5.72	2.57	1.4										
41	1x05	5.72	3.45	1.4										
42	1x03	5.72	3.45	1.4										
43	1x12	3.10	4.00	1.4										
44	1x07	5.00	4.00	1.4										
45	1x05	14.20	3.20	1.4										
46	1x11	6.75	2.85	1.4										
47	1x18	5.72	2.57	1.4										
48	1x03	11.70	2.80	1.5										
49	1x05	10.00	3.45	1.5										
50	1x07	5.72	3.45	1.4										
51	1x13	5.84	3.05	1.4										
52	1x09	10.00	3.45	1.5										
53	1x16	2.54	4.70	1.5										
54	1x05	3.05	2.52	7.61										
55	1x16	5.84	7.37	1.52										
56	1x10	5.84	7.37	1.52										
57	1x17	2.54	4.70	1.5										
58	1x07	8.08	3.05	1.5										
59	1x05	17.00	3.00	1.52										
60	1x03	3.50	3.05	1.52										
61	1x11	3.50	3.05	1.52										
62	1x03	14.50	5.00	1.52										



SEE NOTE 1

NOTES :  
1. FOR PIN STYLE 62 ONLY, PIN MATERIAL USED IS CuFe2P

mat'l. code		surface <input checked="" type="checkbox"/> ISO 1302 / <input type="checkbox"/> ISO 406 / <input type="checkbox"/> ISO 1101		tolerance		projection		product family	
ltr ecn no dr date		tolerances unless otherwise specified		angles		mm		BSTIK	
AG F-25362 DDE 16.11.16				linear		scale N/A		title	
AH B-26203 JCA 17.02.28								UNSHR.HEADER	
								RA SR TMT POL	
AC B-17992 LMU 14.06.18 dr O. MATHEVON 96.04.09								dwg no	
AD B-19156 LMU 14.10.22 engr COMPAGNON J 96.04.09								sheet 3 of	
AE F-24542 AMA 16.07.20 chr COMPAGNON J 96.04.09								77316	
AF F-25333 DDE 16.11.15 appd JMC 96.04.09								A3	
sheet index		revision sheet						type	
								CUSTOMER Drawing	



Copyright FCJ

1

2 3

4

5

6

PIN STYLE	NB OF POS	PRODUCT DEFINITION			TOP VIEW OF HEADER SHOWING MISSING PIN POSITIONS	
		"MATING SIDE" ±0.2	"SOLDER SIDE" ±0.35	"C" REF	1 2 3	
63	1x07	5.72	5.11	3.9		

A

A

B

B

C

C

D

D



Copyright FCJ

mat'l. code		surface		tolerance		projection		product family	
		ISO 1302 <input checked="" type="checkbox"/>		ISO 406 ISO 1101				BSTIK	
ltr ecn no dr date		tolerances unless otherwise specified				mm		title	
A F-28530 LMU 17.10.24				linear		mm		UNSHR.HEADER RA SR TMT POL	
		dr		L.MULIN		scale N/A		dwg no	
		enr		L.MULIN				sheet 4 of	
		chr		17.10.24				77316	
		app		A.SOUDY				size	
				17.10.24				A3	
sheet index		revision sheet						type	
								CUSTOMER Drawing	

1

2

5

6