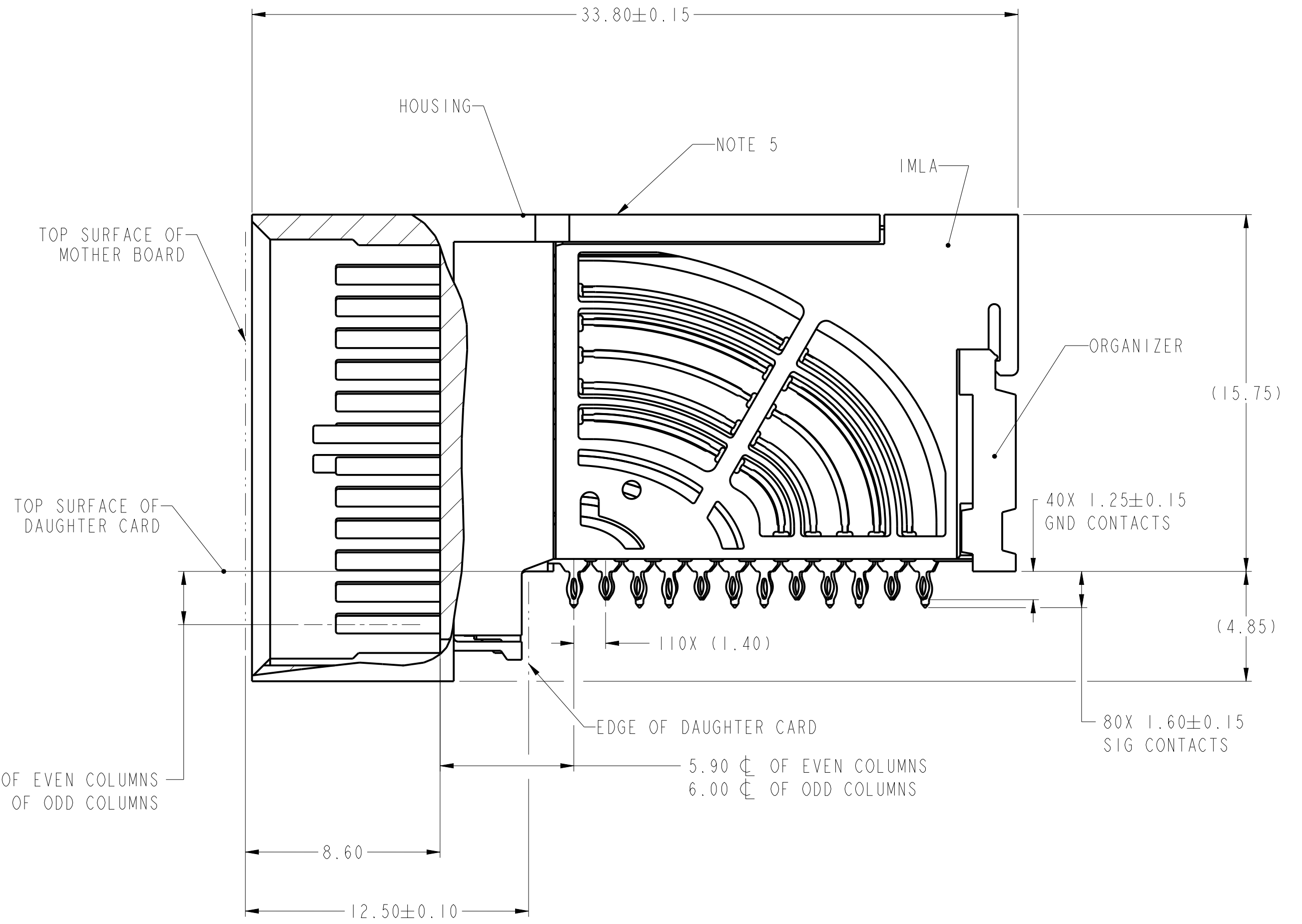
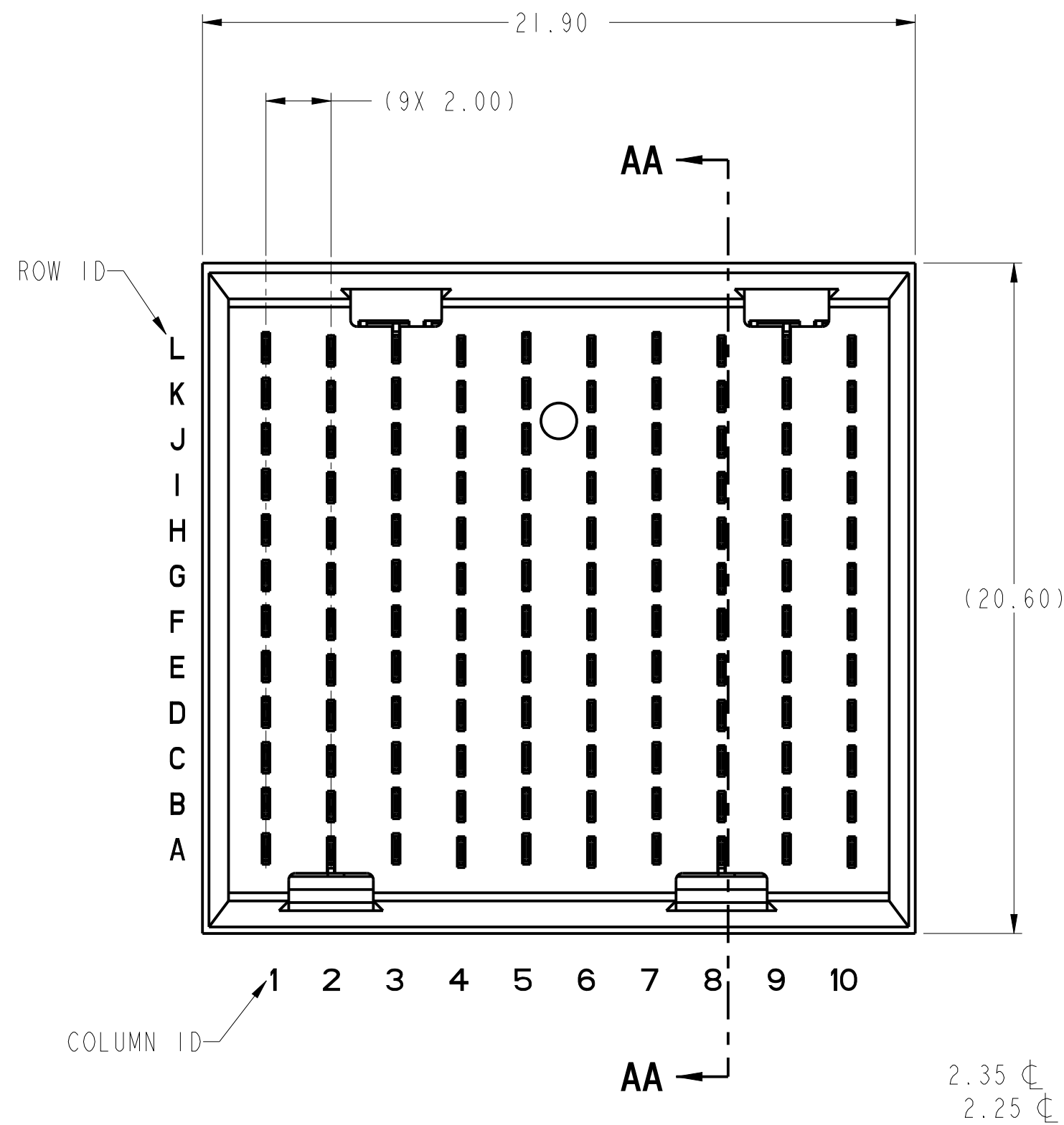


PRODUCT NUMBER
SEE SHEET 3

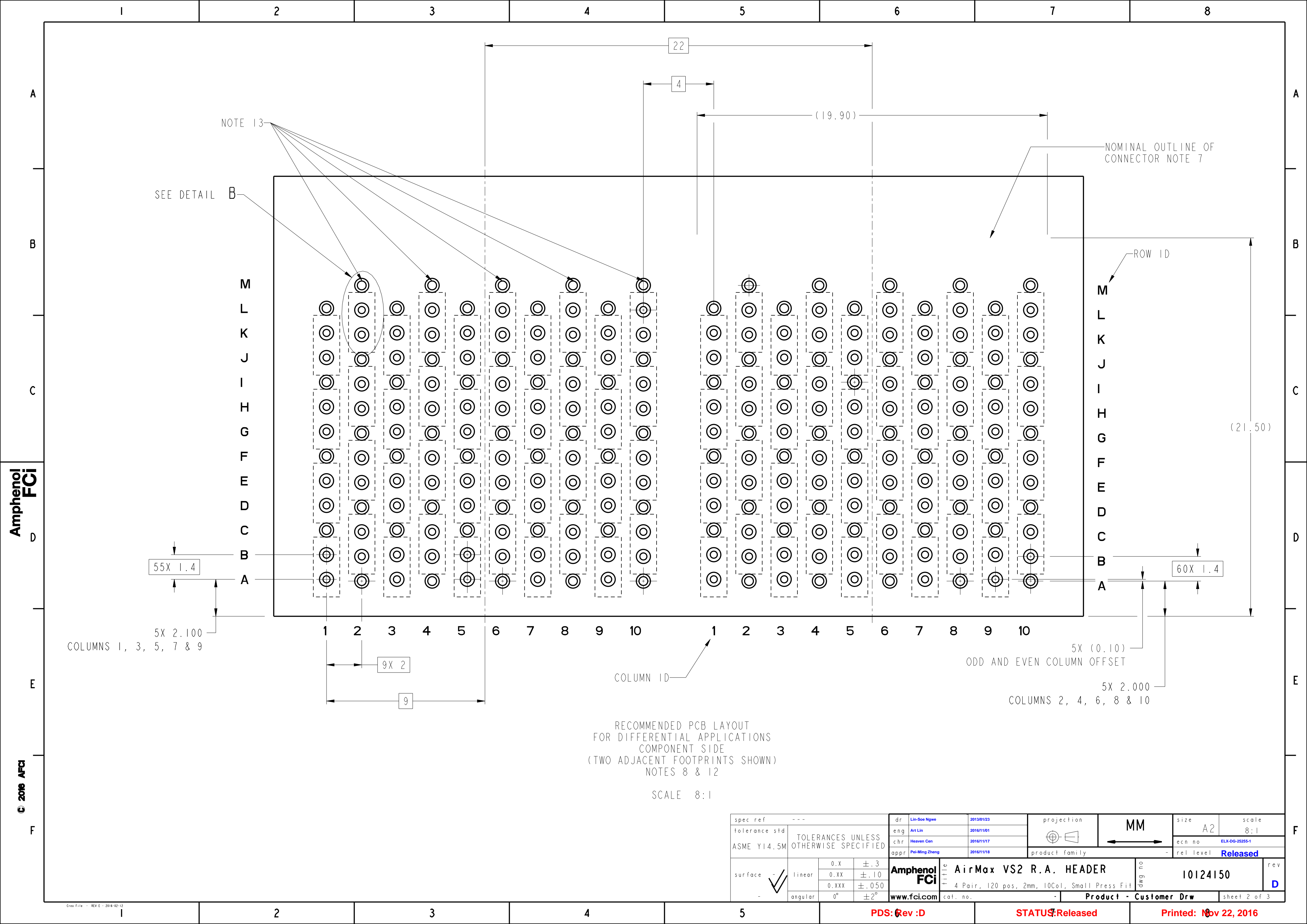


SECTION AA-AA

spec ref	---	dr	Lin-Soe Ngwe	2013/01/23	projection	MM	size	A2	scale	10:1										
tolerance std	ASME Y14.5M	eng	Art Lin	2016/11/01			ecn no	ELX-DG-2525-1												
TOLERANCES UNLESS OTHERWISE SPECIFIED		chr	Heaven Cen	2016/11/17			rel level	Released												
surface	<table border="1"> <tr> <td>linear</td> <td>0.X</td> <td>±.3</td> </tr> <tr> <td></td> <td>0.XX</td> <td>±.10</td> </tr> <tr> <td></td> <td>0.XXX</td> <td>±.050</td> </tr> <tr> <td>angular</td> <td>0°</td> <td>±2°</td> </tr> </table>	linear	0.X	±.3		0.XX	±.10		0.XXX	±.050	angular	0°	±2°	appr	Pai-Ming Zheng	2016/11/18	product family			
linear	0.X	±.3																		
	0.XX	±.10																		
	0.XXX	±.050																		
angular	0°	±2°																		
				AirMax VS2 R.A. HEADER 4 Pair, 120 pos, 2mm, 10Col, Small Press Fit		title 10124150	rev D													
		www.fci.com		cat. no.		Product - Customer Draw			sheet 1 of 3											

Amphenol FCI

© 2016 APCI



NOTE 13

SEE DETAIL B

NOMINAL OUTLINE OF CONNECTOR NOTE 7

ROW ID

M
L
K
J
I
H
G
F
E
D
C
B
A

M
L
K
J
I
H
G
F
E
D
C
B
A

1

2

3

4

5

6

7

8

9

10

1

2

3

4

5

6

7

8

9

10

(21.50)

55X 1.4

60X 1.4

5X 2.100
COLUMNS 1, 3, 5, 7 & 9

9X 2

9

COLUMN ID

5X (0.10)
ODD AND EVEN COLUMN OFFSET

5X 2.000
COLUMNS 2, 4, 6, 8 & 10

RECOMMENDED PCB LAYOUT
FOR DIFFERENTIAL APPLICATIONS
COMPONENT SIDE
(TWO ADJACENT FOOTPRINTS SHOWN)
NOTES 8 & 12

SCALE 8:1

spec ref	---	dr	Lin-Soe Ngwe	2013/01/23	projection	MM	size	A2	scale	8:1											
tolerance std	ASME Y14.5M	eng	Art Lin	2016/11/01			ecn no	ELX-DG-2525-1	rel level	Released											
TOLERANCES UNLESS OTHERWISE SPECIFIED		chr	Heaven Cen	2016/11/17			product family			rel level	Released										
surface	<table border="1"> <tr> <td>linear</td> <td>0.X</td> <td>±.3</td> </tr> <tr> <td></td> <td>0.XX</td> <td>±.10</td> </tr> <tr> <td></td> <td>0.XXX</td> <td>±.050</td> </tr> <tr> <td>angular</td> <td>0°</td> <td>±2°</td> </tr> </table>	linear	0.X	±.3		0.XX	±.10		0.XXX	±.050	angular	0°	±2°			Amphenol FCI www.fci.com		AirMax VS2 R.A. HEADER 4 Pair, 120 pos, 2mm, 10Col, Small Press Fit		dwg no 10124150	rev D
linear	0.X	±.3																			
	0.XX	±.10																			
	0.XXX	±.050																			
angular	0°	±2°																			
		apppr	Pei-Ming Zheng	2016/11/18	Product - Customer Drw		sheet 2 of 3														

PDS: Rev :D

STATUS: Released

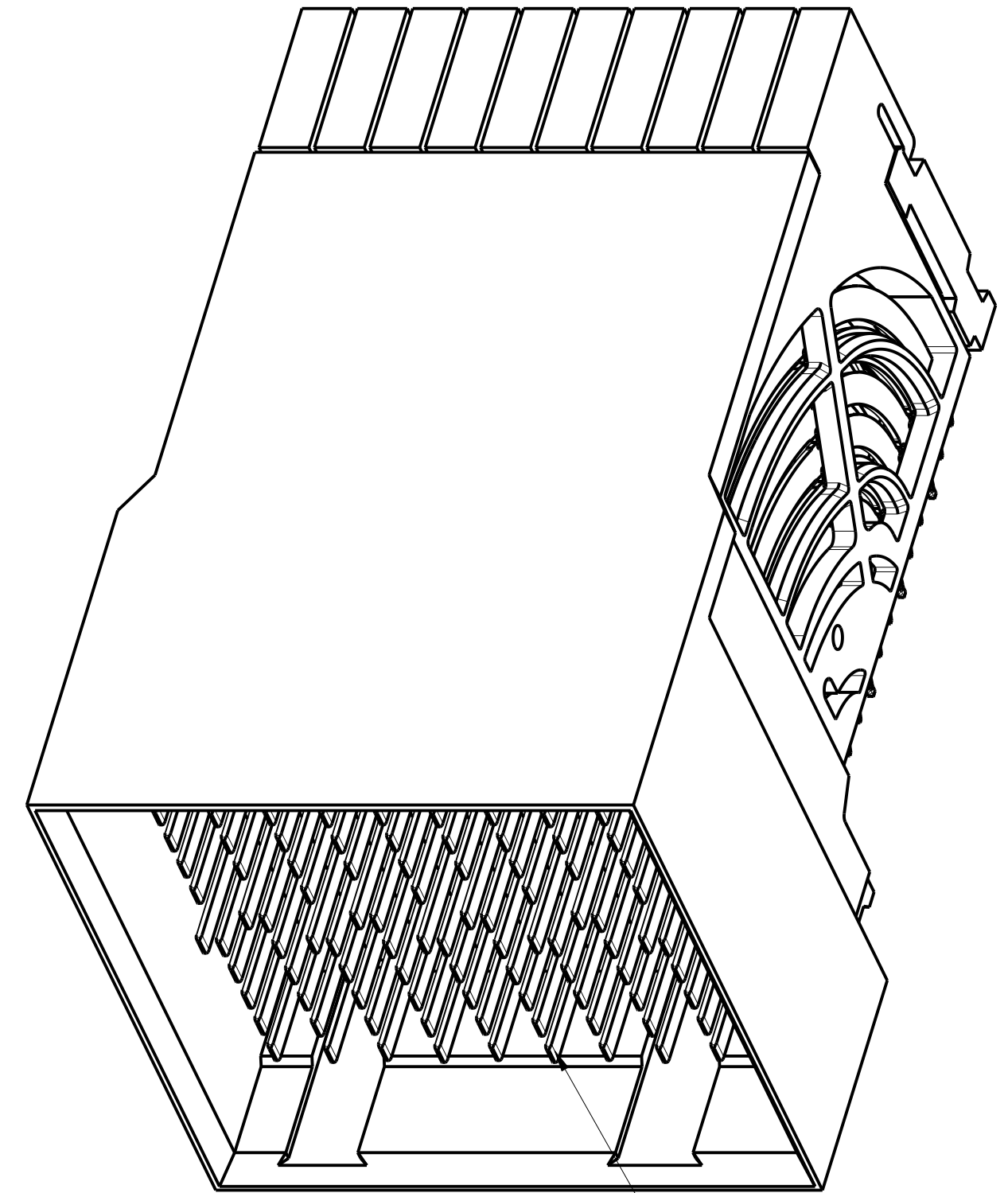
Printed: Nov 22, 2016

Amphenol FCI

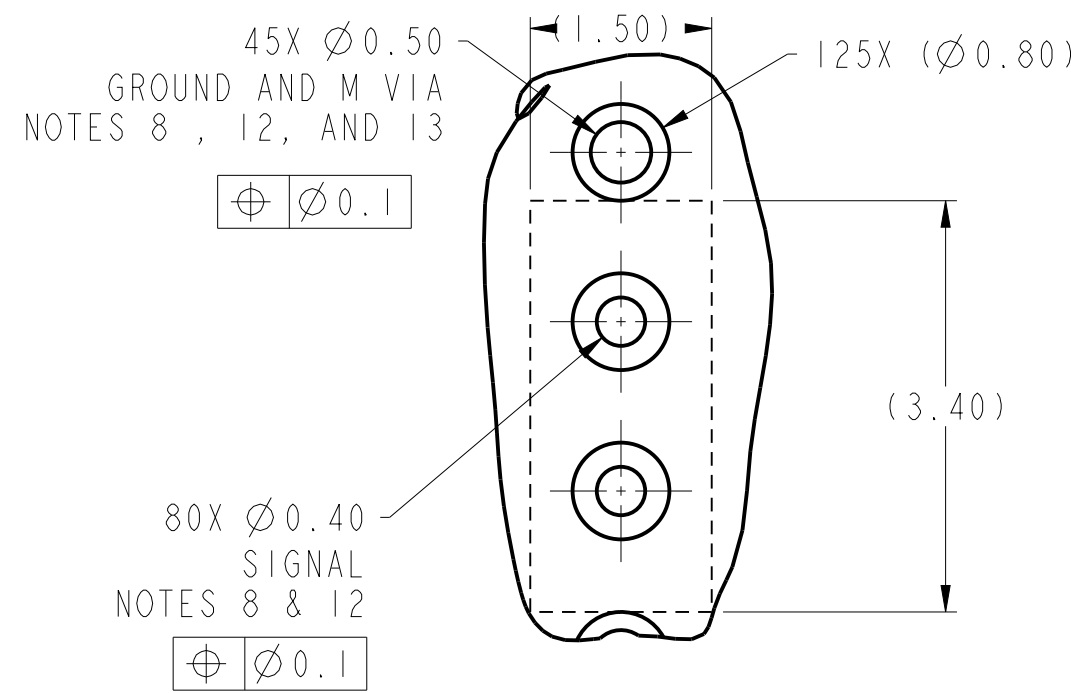
© 2016 APCI

PRODUCT NUMBER	PRESS-FIT TAIL PLATING TYPE	REMARK
10124150 -101	TIN/LEAD ALLOY OVER NICKEL	1-SIDE PLATING (CUSTOMER SPECIAL)
10124150-101LF	TIN OVER NICKEL (LEAD FREE)	
10124150-102	TIN/LEAD ALLOY OVER NICKEL	2-SIDES PLATING
10124150-102LF	TIN OVER NICKEL (LEAD FREE)	

- 1 - CONNECTOR MATERIALS:
HOUSING: HIGH TEMP THERMOPLASTIC, NATURAL UL94-V0
IMLA PLASTIC: HIGH TEMP THERMOPLASTIC, BLACK, UL94-V0
CONTACT: COPPER ALLOY
ORGANIZER: HIGH TEMP THERMOPLASTIC, NATURAL, UL94-V0
- 2 - CONTACT PLATING:
SEPARABLE INTERFACE:
GXT PLUS PLATING, QUALIFIED TO MEET THE REQUIREMENTS OF FCI PRODUCT SPECIFICATION GS-12-0956 INCLUDING TELCORDIA GR-1217-CORE (NOVEMBER 1995) CENTRAL OFFICE TEST SEQUENCE
- PRESS-FIT TAILS: SEE TABLE
- 3 - PRODUCT SPECIFICATION: GS-12-0956
- 4 - APPLICATION SPECIFICATION: GS-20-0305
- 5 - PRODUCT MARKING, (PROTOTYPE, PART NUMBER & LOT CODE), ON THIS SURFACE.
- 6 - POSITIONS "F" OF ODD NUMBERED COLUMNS AND POSITIONS "G" OF EVEN NUMBERED COLUMNS CORRESPOND TO EARLY MATE HEADER PINS.
- 7 - CONNECTOR OUTLINE MAY BE SCREEN PRINTED ONTO CUSTOMER PCB TO BE USED AS A GUIDE FOR CONNECTOR PLACEMENT.
- 8 - REFER TO CUSTOMER DRAWING 10104444 FOR INFORMATION ON PCB HOLE DIAMETERS AND PLATING OPTIONS
- 9 - LEAD FREE PRODUCT MEETS THE EUROPEAN UNION DIRECTIVES & OTHER COUNTRY REGULATIONS AS DESCRIBED IN GS-22-008
- 10 - A Δ SYMBOL WILL BE NEXT TO ANY DIMENSION, VIEW OR NOTE, WHICH HAS BEEN MODIFIED WITH THE CURRENT DRAWING REVISION.
- 11 - PACKAGING MEETS GS-14-920 LEAD FREE LABELING SPECIFICATION.
- 12 - GROUND CONTACTS (C, F, I & L IN ODD COLUMNS AND A, D, G & J IN EVEN COLUMNS) REQUIRE ($\varnothing 0.50$) FINISHED HOLES. SIGNAL LOCATIONS REQUIRE ($\varnothing 0.40$) FINISHED HOLES
- 13 - THESE OUTER VIAS (M) ARE OPTIONAL. WHILE NO CONNECTOR PINS ARE PRESSED INTO THESE HOLES WE RECOMMEND ($\varnothing 0.500$) FINISHED HOLES AT THESE LOCATIONS TO PROVIDE GROUND SYMMETRY THROUGH THE PCB.



10124150-101 OR -101LF
10124150-102 OR -102LF



spec ref	---	dr	Lin-Soe Ngwe	2013/01/23	projection	MM	size	A2	scale	10:1										
tolerance std	ASME Y14.5M	eng	Art Lin	2016/11/01			ecn no	ELX-DG-2525-1												
TOLERANCES UNLESS OTHERWISE SPECIFIED		chr	Heaven Cen	2016/11/17			rel level	Released												
surface	<table border="1"> <tr> <td>linear</td> <td>0.X</td> <td>$\pm .3$</td> </tr> <tr> <td></td> <td>0.XX</td> <td>$\pm .10$</td> </tr> <tr> <td></td> <td>0.XXX</td> <td>$\pm .050$</td> </tr> <tr> <td>angular</td> <td>0°</td> <td>$\pm 2^\circ$</td> </tr> </table>	linear	0.X	$\pm .3$		0.XX	$\pm .10$		0.XXX	$\pm .050$	angular	0°	$\pm 2^\circ$	appr	Pei-Ming Zheng	2016/11/18	product family			
linear	0.X	$\pm .3$																		
	0.XX	$\pm .10$																		
	0.XXX	$\pm .050$																		
angular	0°	$\pm 2^\circ$																		
		Amphenol FCI www.fci.com		title AirMax VS2 R.A. HEADER 4 Pair, 120 pos, 2mm, 10Col, Small Press Fit		dwg no 10124150		rev D												
		PDS: Rev :D		STATUS: Released		Product - Customer Drw		sheet 3 of 3												