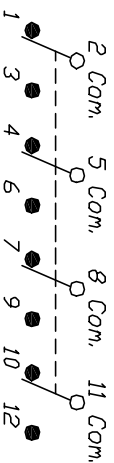


| SWITCH FUNCTION | | |
|----------------------|--------|----------------------|
| PDS: 1 | PDS: 2 | PDS: 3 |
| DN | NONE | QDN |
| 2-3,5-6 8-9,11-12 | DPEN | 2-1,5-4 8-7,11-10 |

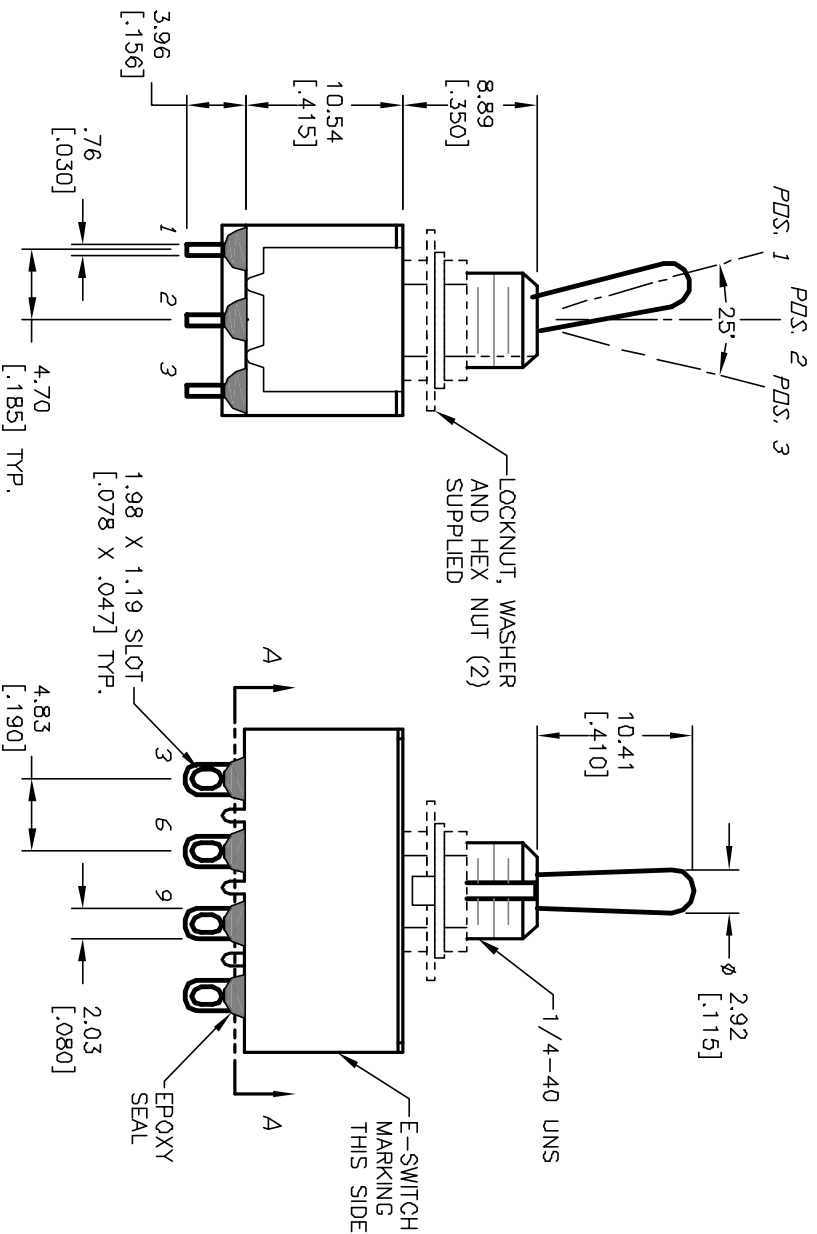
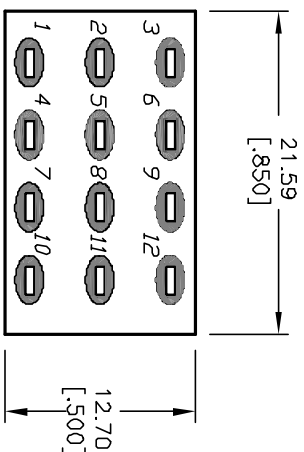
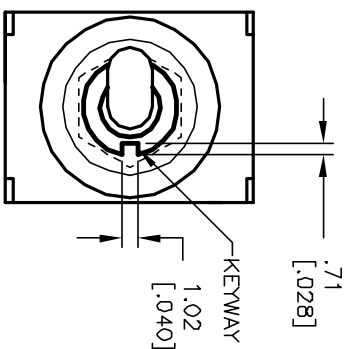
◇ MOMENTARY



CIRCUIT: 4PDT

NOTES:

1. ALL DIMENSIONS IN MM [INCH]
2. GENERAL TOLERANCE: X.X=±0.4
X.XX=±0.25
3. TERMINAL NUMBERS FOR REF ONLY
4. RATING: 5A @120VACor 28VDC
2A @250VAC. w/resistive loads
5. CONTACT & TERM MATERIAL:
Copper Alloy w/Silver plate.
6. ELECTRIC LIFE: 50,000 make-and-break cycles
at full load.
7. INSULATION RESISTANCE: 1,000 Mega-ohm min.
8. DIELECTRIC STRENGTH: 1,000 V RMS @sea level.
9. OPERATING TEMP.: -30°C to 85°C



E-SWITCH®

100 4P-2 T1 B1 M1 Q E

| | | | | |
|------|---------|-------------------------|---------|------|
| B | | | | |
| A | 12460 | RELEASED FOR PRODUCTION | 10/3/02 | CJB |
| REV. | ECN NO. | DESCRIPTION | DATE | CHKD |

| | | | | | | | |
|-----------------------|--|-------|--|---------|-----|---------|-----|
| TITLE | | SCALE | | DATE | DR | DWG | REV |
| 100 4P-2 T1 B1 M1 Q E | | 2:1 | | 10/3/02 | CJB | T142003 | A |

THE INFORMATION CONTAINED IN THIS DOCUMENT IS PROPRIETARY TO E-SWITCH AND IS NOT TO BE COPIED OR TRANSMITTED