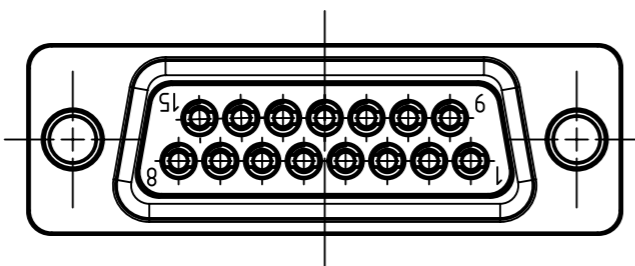
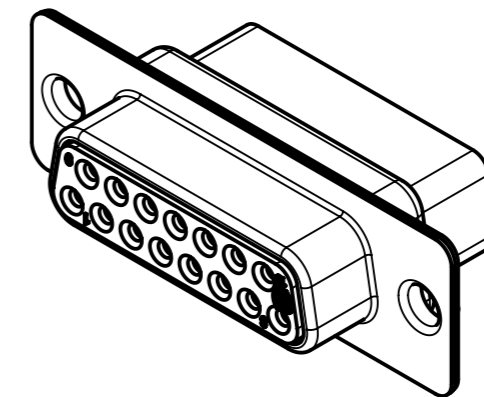
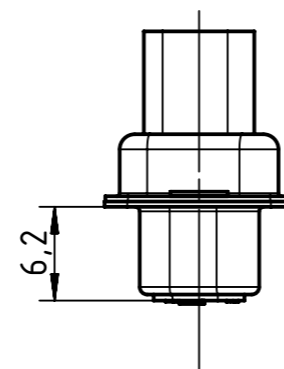
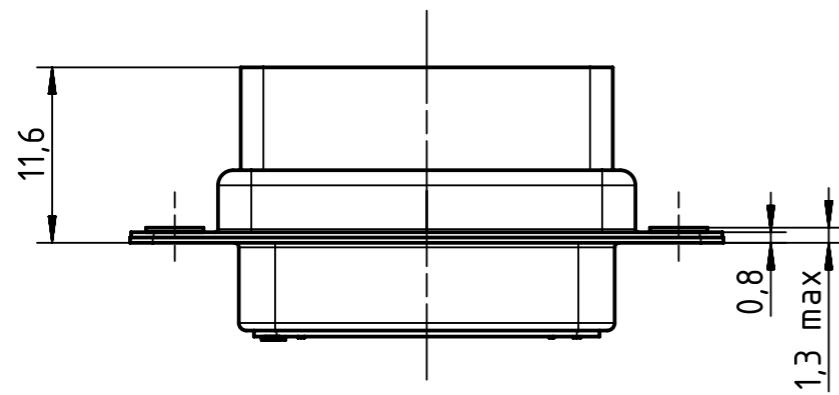
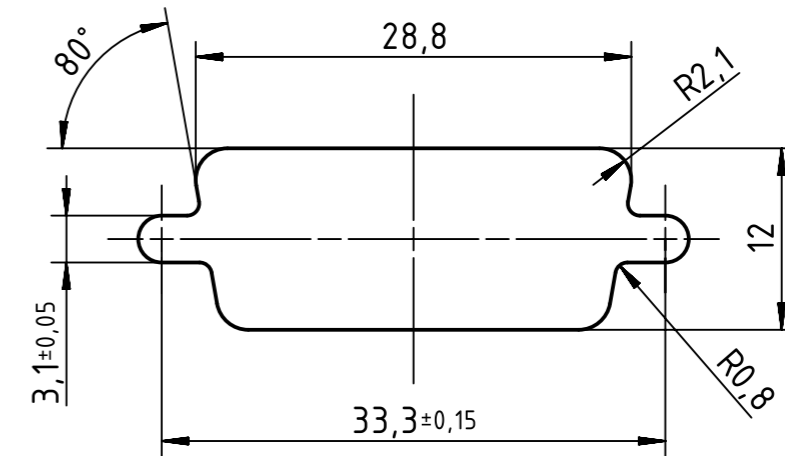


Panel cut out



	All rights reserved Department EC PD - CN HARTING Electronics GmbH D-32339 Espelkamp	All Dimensions in mm Original Size DIN A3		Scale 2:1	Free size tol.	Ref. Sub.
		Created by SHENGJ	Inspected by WANGSTE	Standardisation HOFFMANN	Date 2014-01-15	State Final Release
Title D-Sub crimp 15-pole female assembly					Doc-Key / ECM-Nr. 100235539/UGD/001/A 50000065332	
Type TB			Number 09670154701		Rev. A	Page 1/1