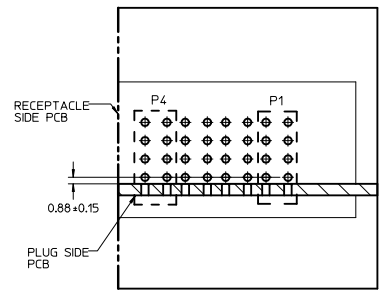
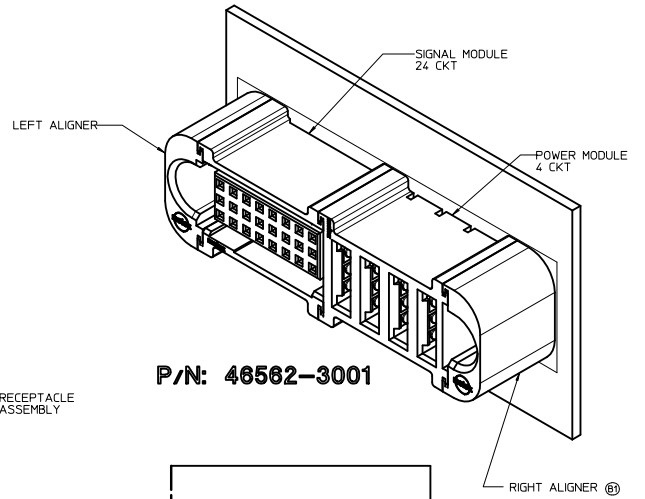
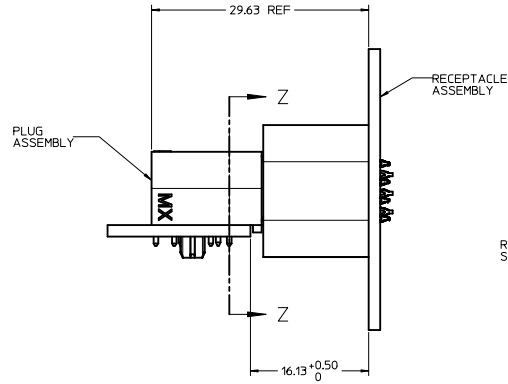


RECOMMENDED PCB LAYOUT AND KEEP-OUT ZONE



SECTION Z-Z

- NOTES:
- MATERIAL:
    - HOUSINGS: LCP UL94 V-0, COLOR: BLACK.
    - TERMINALS: COPPER ALLOY.
    - PLATING: 0.00027 NICKEL OVERALL WITH 0.00254 SELECTIVE TIN ON COMPLIANT PINS. AND 0.000762 SELECTIVE GOLD ON CONTACT AREA.
  - ASSEMBLIES PACKED IN TRAYS. SPQ: TBD.
  - PC BOARD REQUIRES THRU HOLES. REFER TO PS-46436-100 FOR DETAILS.
  - PRODUCT SPEC: PS-46436-100.
  - APPLICATION SPEC: AS-46436-100.
  - PRODUCT TO MEET RoHS REQUIREMENTS.
  - ASSEMBLY MATES WITH PLUG ASSEMBLY. P/N 46437-3001.

UPDATE DESCRIPTION EEC NO: LCP2010-1783 DRAWN/KARAD/MS 2010/01/21 CHK/DLNG 2010/02/08 APPR/PATEL 2010/02/10 REV B2	QUALITY SYMBOLS	GENERAL TOLERANCES (UNLESS SPECIFIED)	DIMENSION STYLE	SCALE	DESIGN UNITS	THIRD ANGLE PROJECTION
		mm INCH	MM ONLY	3:1	METRIC	
		4 PLACES ±--- ±---	DRAWN BY	DATE	TITLE	
		3 PLACES ±--- ±---	KJKOH	2009/03/11	VERT. RECEPT ASSY (B1)	
		2 PLACES ±0.25 ±---	CHECKED BY	DATE	TEN60 POWER FAMILY	
		1 PLACE ±0.25 ±---	LNG	2009/05/06	MOLEX INCORPORATED	
		ANGULAR ±1/2°	APPROVED BY	DATE	MATERIAL NO. DOCUMENT NO.	
		DRAFT WHERE APPLICABLE MUST REMAIN WITHIN DIMENSIONS	SHONG	2009/05/06	46562-3001	SD-46562-301
			SIZE	SHEET NO.		
			D	1 OF 1		